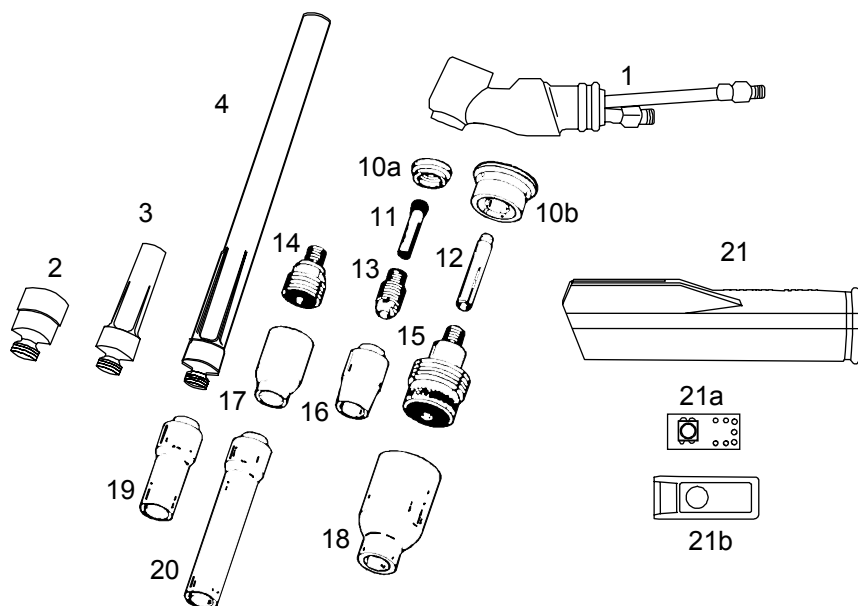


WELDCRAFT TIG-BRÆNDER
WELDCRAFT®
CS310


Nr.	Vare nr.:	Beskrivelse
1	WR CS310A	Brænderkrop
2	WR CS110-BCS	Hætte, kort
3	WR CS110-BCM	Hætte, mellemlang
4	WR CS110-BCL	Hætte, lang
10a	WR 598882	Teflonisolator til gaslinse
10b	WR 54N63-20	Teflonisolator til stor gaslinse
11	WR 13N21	Spændehylster, 1,0 mm
	WR 13N22	Spændehylster, 1,6 mm
	WR 13N23	Spændehylster, 2,4 mm
	WR 13N24	Spændehylster, 3,2 mm
12	WR 13N21L	Spændehylster, stor gaslinse, 1,0 mm
	WR 13N22L	Spændehylster, stor gaslinse, 1,6 mm
	WR 13N23L	Spændehylster, stor gaslinse, 2,4 mm
	WR 13N24L	Spændehylster, stor gaslinse, 3,2 mm
13	WR 13N26	Hus for spændehylster, 1,0 mm
	WR 13N27	Hus for spændehylster, 1,6 mm
	WR 13N28	Hus for spændehylster, 2,4 mm
	WR 13N29	Hus for spændehylster, 3,2 mm
14	WR 45V42	Gaslinse, 1,0 mm
	WR 45V43	Gaslinse, 1,6 mm
	WR 45V44	Gaslinse, 2,4 mm
	WR 45V45	Gaslinse, 3,2 mm
15	WR 45V0204S	Gaslinse, stor, 0,5 – 1,0 mm
	WR 45V116S	Gaslinse, stor, 1,6 mm
	WR 45V64S	Gaslinse, stor, 2,4 mm
	WR 995795S	Gaslinse, stor, 3,2 mm
16	WR 13N08	Gasdyse, L=29, 6,3 mm
	WR 13N09	Gasdyse, L=29, 8,0 mm
	WR 13N10	Gasdyse, L=29, 9,5 mm
	WR 13N11	Gasdyse, L=29, 11,0 mm
	WR 13N12	Gasdyse, L=29, 12,8 mm
	WR 13N13	Gasdyse, L=29, 16,0 mm
	WR 13N10HPN	Gasdyse, Si, L=29, 9,5 mm
	WR 13N11HPN	Gasdyse, Si, L=29, 11,0 mm
	WR 13N12HPN	Gasdyse, Si, L=29, 12,8 mm
	WR 13N13HPN	Gasdyse, Si, L=29, 16,0 mm

Nr.	Vare nr.:	Beskrivelse
17	WR 53N58	Gasdyse, gaslinse, L=25, 6,3 mm
	WR 53N59	Gasdyse, gaslinse, L=25, 8,0 mm
	WR 53N60	Gasdyse, gaslinse, L=25, 9,5 mm
	WR 53N61	Gasdyse, gaslinse, L=25, 11,0 mm
	WR 53N61S	Gasdyse, gaslinse, L=25, 12,8 mm
	WR 53N58HPN	Gasdyse, gaslinse, Si, L=25, 6,3 mm
	WR 53N59HPN	Gasdyse, gaslinse, Si, L=25, 8,0 mm
	WR 53N60HPN	Gasdyse, gaslinse, Si, L=25, 9,5 mm
	WR 53N61HPN	Gasdyse, gaslinse, Si, L=25, 11,0 mm
	WR53N61SHPN	Gasdyse, gaslinse, Si, L=25, 12,8 mm
18	WR 57N75	Gasdyse, stor gaslinse, L=48, 9,5 mm
	WR 57N74	Gasdyse, stor gaslinse, L=48, 12,8 mm
	WR 53N88	Gasdyse, stor gaslinse, L=48, 16,0 mm
	WR 53N87	Gasdyse, stor gaslinse, L=48, 19,0 mm
	WR 53N88HPN	Gasdyse, stor gaslinse, Si, L=48, 16,0 mm
	WR 53N87HPN	Gasdyse, stor gaslinse, Si, L=48, 19,0 mm
19	WR 796F70	Gasdyse, L=48, 4,0 mm
	WR 796F71	Gasdyse, L=48, 6,0 mm
	WR 796F72	Gasdyse, L=48, 8,0 mm
	WR 796F73	Gasdyse, L=48, 10,0 mm
20	WR 796F74	Lava gasdyse, L=64, 4,0 mm
	WR 796F75	Lava gasdyse, L=64, 6,0 mm
	WR 796F76	Lava gasdyse, L=64, 8,0 mm
	WR 796F77	Lava gasdyse, L=64, 10,0 mm
21	WR CS110-SH	Håndtag
21a	WR SH-BB-1	Enkelt kontakt
21b	WR CSH-BC-1F	Enkelt gummimuffe